

## Sink FM Marine

Kitchen Sinks

Code: 1974 960



### DETAILS

Edge/Installation Type      Standard (8 mm Edge)

---

Finish      Foster brushed

---

Material      Stainless steel AISI 316

---

Texture      Foster brushed

---

Base      80-90 cm

---

Dimensions      860x500 mm

---

Standard fittings      Fixing hooks, gasket, drain, overflow and siphon, boxed packing

---

Mixer holes      1 standard hole

---

Built-in hole      840 x 480 mm

---

Drainer No

---

Width 86 cm

---

Bowl dimension 362,5x400mm

---

Number of bowls 2 bowls

---

Waste fitting 3,5" drain

---

## FEATURES

**Added value** Foster uses steel thicknesses higher than those used on average by other manufacturers. This is how, thanks to our long experience, we know how to make sinks of superior quality and with a better resistance to aging.

---

**Basket 3,5" waste fitting** The drain is equipped with a large 3.5" drain, with the practical basket cap that prevents the discharge of solid parts.

---

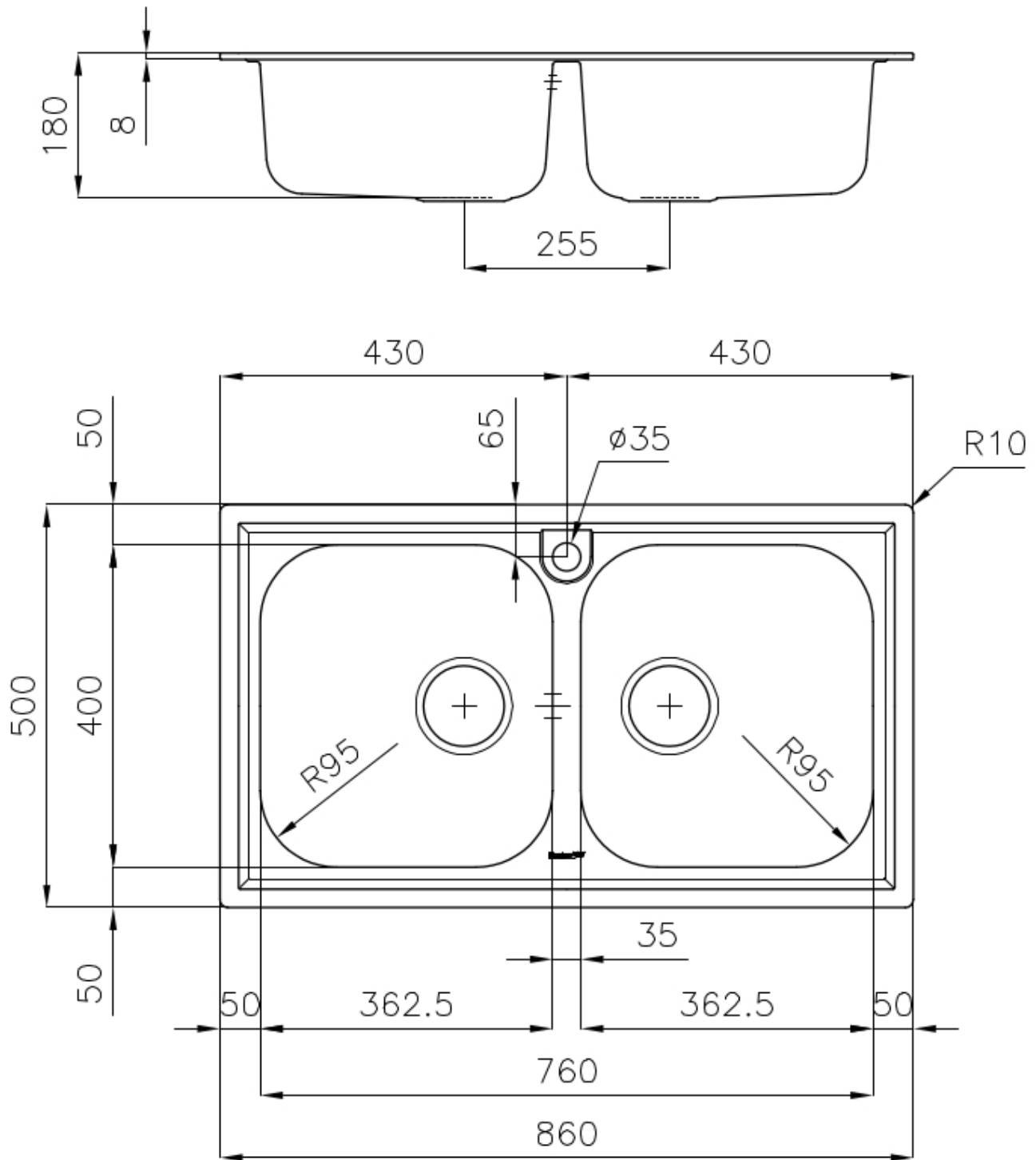
**Marine stainless steel** The Marine collection of sinks and hobs uses AISI 316 stainless steel, a superior quality material and widely used in the marine industry, which guarantees the best resistance to the corrosive effects of acids contained in food, salt and detergents.

---

**Sliding brackets**

---

## TECHNICAL DATA



## OPTIONAL ACCESSORIES



**Glass chopping board**  
8631 300



**HPDE Chopping board**  
8657 001



**Stainless steel basket**  
8611 000

## RECOMMENDED PAIRINGS



**Mixer Tap Gamma 3 vie - satin**  
8496 100



**Mixer Tap Lorenzo**  
8466 000



**Mixer Tap NYC**  
8486 000